

# TRUCK CRANE

## ZTC600V532



**ZOOMLION**

**Zoomlion Heavy Industry Science & Technology Co.,Ltd.**

Add: No.677, Lugu Road, Zoomlion Industrial Park, Changsha, Hunan, China, 410205  
Copyright©2017 Zoomlion. All rights reserved. Reproduction and copying of any part of contents is not allowed for any purposes without Zoomlion's approval.  
Production Date:20180509



websites.en.zoomlion.com

**ZOOMLION**

**4.0**  
PRODUCTS

Vision Creates Future

## CONTENTS

ZTC600V	Highlights	01 / 02
ZTC600V	Key Features	03 / 04
ZTC600V	Main Technical Parameters	05
ZTC600V	Overall Dimensions in Driving Condition / Lifting Height Chart	06
ZTC600V	Lifting Capacity Tables	07 / 12





**2033**  
KN\*M

Max. Lifting Moment

**61.5**  
M

Max. Lifting Height  
(Main boom + Jib)

**44.7**  
M

Max. working radius  
(Main boom + Jib)



### Excellent performance with energy saving, comfort and reliability

- 5-section U-shaped 45M main boom with superior comprehensive lifting capacity, max. lifting moment 2033KN\*M, max. lifting height (main boom+ jib) 61.5M.
- Intelligent multi-power mode energy saving system, average oil consumption lower than 4L/H, saving fuel up to 15% comprehensively.
- Innovative new load-sensing slewing system, proportional main valve offers better micro-positioning performance(min. stable slewing speed 0.1°/S, min stable hoisting speed 2.5M/Min).
- Reliability-proven golden driving chain adopted, with better off-road performance and gradeability reaches 47%.

ZTC600V

## Key Features



### Strong Lifting Capacity

- 1.5-section U-shaped 45M main boom with leading comprehensive lifting capacity.
2. Its innovative new boom head and end structure, with optimized boom connections offers stronger load-bearing capacity.
3. 2nd generation of arbitrary telescoping technology enables more stable telescoping and greatly enhances its anti-rollover performance.



### Stable and Safe Lifting Performance

1. Load-sensing slewing system, proportional main valve offers better micro-positioning performance (min. stable slewing speed  $0.1^\circ/S$ , min stable hoisting speed 2.5M/Min).
2. LUDV hydraulic system enables the crane to realize four movements simultaneously with high efficiency.
3. Independent radiator system, hydraulic system temperature is controlled within  $75^\circ\text{C}$ .



### Classic driving chain & heavy-duty chassis platform

1. Powerful dedicated low speed and high moment driving chain guarantees high safety and reliability.
2. Brand-new rubber suspension and V-shaped thrust rod technology enables better driving experience and can effectively extend tires' working life.
3. Power-assist gear shift mechanism makes the operating with less fatigue.

ZOOMLION

ZTC600V

## Key Features



### Intelligence & Environment-Friendly

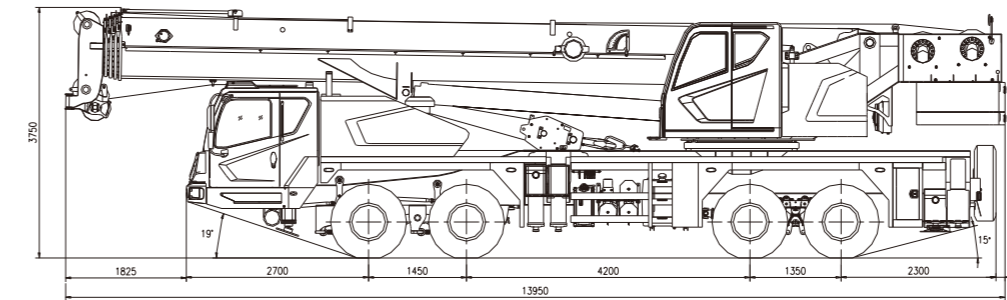
1. Intelligent multi-power mode energy saving system, average oil consumption lower than 4L/H, saving fuel up to 15% comprehensively.
2. In-vehicle information system enables you fully and real-time monitor your machine in an easy way.
3. Noise is greatly cut down and can reach CE standard.



### Modern and High-Class, Comfortable and Endurable

1. Brand-new and environment-friendly VI painting offers a better visual enjoyment.
2. Luxury driver's cab with spacious room and comfortable driving experience, standard full view tilt-able operator's cab offers easy and safe operation.
3. Anti-corrosion aluminum alloy stair and handrail.
4. AC system with flow adjustment technology offers a better operating environment.
5. The reliability of hydraulic and electronic system is optimized, offers longer working life and easy maintenance.

	Item	Value	Remarks	
Work performance	Max. rated lifting capacity	kg	60000	
	Max. load moment of basic boom	kN.m	2033	
	Max. load moment of main boom (fully extended)	kN.m	1192	
	Max. lifting height of basic boom	m	12.8	
	Max. lifting height of main boom (fully extended)	m	45.7	These parameters do not include deflection of main boom and jib.
	Max. lifting height of jib	m	61.5	
Work speeds	Max. hoist rope speed (Main winch)	m/min	125	At 4 <sup>th</sup> layer
	Max. hoist rope speed (Auxiliary winch)	m/min	125	At 4 <sup>th</sup> layer
	Boom derricking up time	s	45	
	Boom telescoping out time	s	95	
	Slewing speed	r/min	0~2.2	
Driving	Max. driving speed	km/h	85	
	Max. gradeability	%	47	
	Min. turning diameter	m	≤23	
	Min. ground clearance	mm	285	
	Oil consumption per hundred kilometer	L	43	
Mass	Deadweight in driving condition	kg	42000	Exclude 2.5T counterweight
	Complete vehicle kerb mass	kg	41805	
	Front axle load	kg	16000	
	Rear axle load	kg	26000	
Dimensions	Overall dimensions (L × W × H)	mm	13950 × 2800 × 3750	
	Outrigger spread (L)	m	5.92	
	Outrigger spread (W)	m	Fully extended: 7.1	
	Tail slewing radius	mm	3930	
	Main boom length	m	11.6 ~ 45.0	
	Boom angle	°	-2 ~ 80	
	Jib length	m	9.5、16.0	
	Offset	°	0、15、30	



Size units(mm)

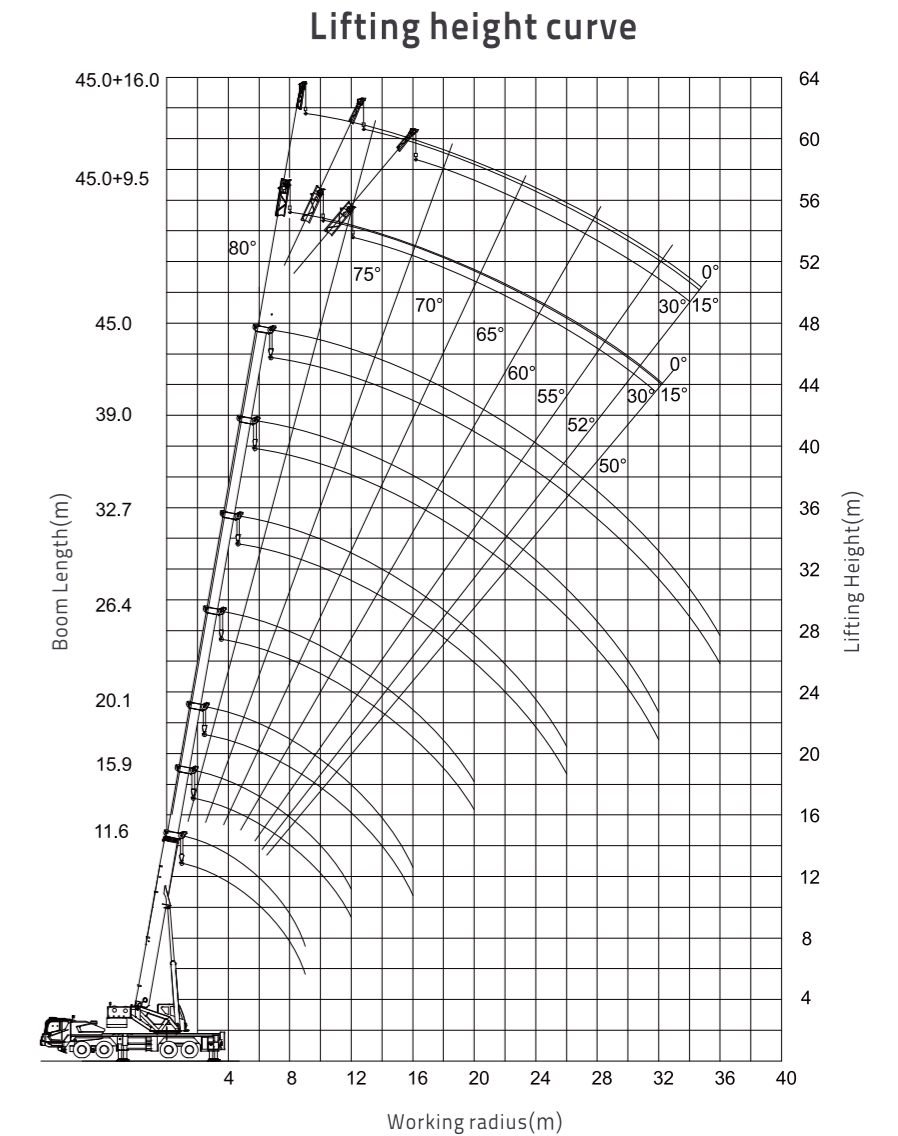


Table1 Unit:kg

Working Radius (m)	Main boom (m)						
	Telescoping cylinder I & outriggers fully extended, over sides and rear, 7.5t counterweight						
	11.6	15.9	20.1	26.4	32.7	39.0	45.0
3.0	60000	45500	35500				
3.5	51500	45500	35500				
4.0	48000	45500	35500				
4.5	45000	43500	35500	27000			
5.0	41500	41000	33500	27000			
5.5	37400	37000	31500	27000			
6.0	34000	33800	30000	26000	19800		
6.5	31200	30700	29000	25000	19800		
7.0	28600	28000	28000	24000	19800		
7.5	26200	26000	26000	23000	19000		
8.0	24000	24000	24000	22000	18400	14400	
9.0	19800	19200	19000	20000	17000	13600	
10.0		15400	15200	16500	15800	12800	10000
11.0		12500	12300	13500	14000	12000	9600
12.0		10500	10300	11500	12200	11500	9200
14.0			7300	8500	9200	9600	8400
16.0			5200	6400	7100	7500	7600
18.0				4800	5500	5900	6200
20.0				3700	4300	4700	5000
22.0					3400	3800	4100
24.0					2700	3100	3400
26.0					2000	2400	2700
28.0						1900	2200
30.0						1500	1800
32.0						1100	1400
34.0							1100
36.0							800
I (m)	0	4.3	8.5	8.5	8.5	8.5	8.5
II (m)	0	0	0	6.3	12.6	18.9	24.9
Reeving	12	10	8	6	4	4	3
Hook	60t Hook						

Table2 Unit:kg

Working Radius (m)	Main boom (m)					
	Telescoping cylinder I half extended, outriggers fully extended, over sides and rear, 7.5t counterweight					
	11.6	15.9	22.2	28.5	34.8	40.8
3.0	60000	45500				
3.5	51500	45500	27000			
4.0	48000	45500	27000			
4.5	45000	43500	27000			
5.0	41500	41000	27000	24000		
5.5	37400	37000	27000	24000		
6.0	34000	33800	27000	24000		
6.5	31200	30700	27000	24000	16500	
7.0	28600	28000	27000	23000	16500	
7.5	26200	26000	25500	22000	16000	
8.0	24000	24000	24000	21000	15500	10800
9.0	19800	19200	20500	19000	14500	10400
10.0		15400	16800	17000	13500	10000
11.0		12500	13500	14500	12500	9600
12.0		10500	11900	12600	11600	9200
14.0			8800	9500	9800	8400
16.0			6700	7400	7800	7600
18.0			5100	5800	6200	6500
20.0				4600	5000	5300
22.0				3700	4100	4400
24.0					3300	3600
26.0					2700	3000
28.0					2200	2500
30.0						2000
32.0						1700
34.0						1400
36.0						
I (m)	0	4.3	4.3	4.3	4.3	4.3
II (m)	0	0	6.3	12.6	18.9	24.9
Reeving	12	10	6	5	4	3
Hook	60t Hook					

Table3 Unit:kg

Working Radius (m)	Main boom (m)				
	Telescoping cylinder I fully retracted, outriggers fully extended, over sides and rear, 7.5t counterweight				
	11.6	17.9	24.2	30.5	36.5
3.0	60000	27000			
3.5	51500	27000			
4.0	48000	27000	24000		
4.5	45000	27000	24000		
5.0	41500	27000	24000		
5.5	37400	27000	23200	18600	
6.0	34000	27000	22500	17900	
6.5	31200	27000	21700	17200	
7.0	28600	27000	21000	16500	11500
7.5	26200	25500	20200	15700	11500
8.0	24000	24000	19500	15000	11500
9.0	19800	21000	18000	13800	11000
10.0		17300	16500	12800	10500
11.0		14500	14500	11800	9800
12.0		12500	13200	11000	9200
14.0		9300	10000	9500	8200
16.0			7900	8300	7200
18.0			6300	6700	6400
20.0				5500	5600
22.0				4600	4800
24.0				3800	4000
26.0					3400
28.0					2900
30.0					2400
32.0					
I (m)	0	0	0	0	0
II (m)	0	6.3	12.6	18.9	24.9
Reeving	12	6	5	4	3
Hook	60t Hook				

Table4 Unit:kg

Working Radius (m)	Main boom (m)						
	Telescoping cylinder I fully extended, outriggers half extended, over sides and rear, 7.5t counterweight						
	11.6	15.9	20.1	26.4	32.7	39.0	45.0
3.0	50000	45500	35500				
3.5	50000	45500	35500				
4.0	45000	41000	35500				
4.5	38000	37000	33500	27000			
5.0	30500	29500	28500	27000			
5.5	25000	24000	24000	24500			
6.0	21000	20500	20000	21500	19800		
6.5	18000	17300	17000	18200	19800		
7.0	15500	15000	14500	15700	16500		
7.5	13500	12800	12500	14000	14800		
8.0	12000	11500	11200	12400	13200	14400	
9.0	9500	9000	8600	9800	10600	11000	
10.0		7100	6800	8000	8800	9200	10000
11.0		5700	5500	6700	7300	7700	8000
12.0		4600	4500	5600	6200	6600	6900
14.0			2700	3800	4400	4800	5100
16.0			1500	2500	3100	3500	3800
18.0				1600	2200	2600	2900
20.0				800	1400	1800	2100
22.0					800	1200	1500
24.0						800	1100
26.0							
I (m)	0	4.3	8.5	8.5	8.5	8.5	8.5
II (m)	0	0	0	6.3	12.6	18.9	24.9
Reeving	12	10	8	6	4	4	3
Hook	60t Hook						

Table5 Unit:kg

Working Radius (m)	Main boom (m)					
	Telescoping cylinder I & outriggers half extended, over sides and rear, 7.5t counterweight					
	11.6	15.9	22.2	28.5	34.8	40.8
3.0	50000	45500				
3.5	50000	45500	27000			
4.0	45000	41000	27000			
4.5	38000	37000	27000			
5.0	30500	29500	27000	24000		
5.5	25000	24000	25000	24000		
6.0	21000	20500	22000	20000		
6.5	18000	17300	19000	17500	16500	
7.0	15500	15000	16500	16800	16500	
7.5	13500	12800	14500	15000	15000	
8.0	12000	11500	13000	13600	13500	10800
9.0	9500	9000	10500	11000	11500	10400
10.0		7100	8500	9100	9500	9900
11.0		5700	7000	7600	8000	8500
12.0		4600	5900	6500	6800	7200
14.0			4100	4800	5100	5400
16.0			2800	3500	3800	4100
18.0			1900	2600	2900	3200
20.0				1800	2100	2400
22.0				1200	1500	1800
24.0					1000	1300
26.0						1000
I (m)	0	4.3	4.3	4.3	4.3	4.3
II (m)	0	0	6.3	12.6	18.9	24.9
Reeving	12	10	6	5	4	3
Hook	60t Hook					

Table6 Unit:kg

Working Radius (m)	Main boom (m)				
	Telescoping cylinder I fully retracted, outriggers half extended, over sides and rear, 7.5t counterweight				
	11.6	17.9	24.2	30.5	36.5
3.0	50000	27000			
3.5	50000	27000			
4.0	45000	27000	24000		
4.5	38000	27000	24000		
5.0	30500	27000	24000		
5.5	25000	27000	23200	18600	
6.0	21000	23500	22500	17900	
6.5	18000	20000	20000	17200	
7.0	15500	17600	18000	16500	11500
7.5	13500	14600	16000	15700	11500
8.0	12000	13700	14500	14000	11500
9.0	9500	11000	11700	12000	11000
10.0		9100	9700	10000	10500
11.0		7600	8200	8500	8800
12.0		6300	6900	7200	7500
14.0		4600	5200	5500	5800
16.0			3900	4200	4500
18.0			2900	3300	3500
20.0				2500	2700
22.0				1900	2100
24.0				1400	1600
26.0					1300
28.0					1000
I (m)	0	0	0	0	0
II (m)	0	6.3	12.6	18.9	24.9
Reeving	12	6	5	4	3
Hook	60t Hook				

Table7 Unit:kg

Working Radius (m)	Main boom (m)						
	Telescoping cylinder I & outriggers fully extended, over sides and rear, 5t counterweight						
	11.6	15.9	20.1	26.4	32.7	39.0	45.0
3.0	60000	45500	35500				
3.5	51500	45500	35500				
4.0	48000	45500	35500				
4.5	45000	43500	35500	27000			
5.0	41500	41000	33500	27000			
5.5	37400	37000	31500	27000			
6.0	34000	33800	30000	26000	19800		
6.5	31200	30700	29000	25000	19800		
7.0	28600	28000	28000	24000	19800		
7.5	26000	26000	25000	23000	19000		
8.0	23000	22400	22000	22000	18400	14400	
9.0	18000	17400	17000	18500	17000	13600	
10.0		14000	13600	14900	15800	12800	10000
11.0		11400	11000	12400	13000	12000	9600
12.0		9500	9100	10400	11000	11500	9200
14.0			6300	7500	8100	8600	8400
16.0			4300	5500	6100	6600	7000
18.0				4100	4700	5200	5500
20.0				3000	3600	4100	4400
22.0					2800	3200	3500
24.0					2100	2500	2800
26.0					1600	2000	2200
28.0						1500	1700
30.0						1100	1300
32.0							1000
34.0							
36.0							
I (m)	0	4.3	8.5	8.5	8.5	8.5	8.5
II (m)	0	0	0	6.3	12.6	18.9	24.9
Reeving	12	10	8	6	4	4	3
Hook	60t Hook						

Table8 Unit:kg

Working Radius (m)	Main boom (m)					
	Telescoping cylinder I half extended, outriggers fully extended, over sides and rear, 5t counterweight					
	11.6	15.9	22.2	28.5	34.8	40.8
3.0	60000	45500				
3.5	51500	45500	27000			
4.0	48000	45500	27000			
4.5	45000	43500	27000			
5.0	41500	41000	27000	24000		
5.5	37400	37000	27000	24000		
6.0	34000	33800	27000	24000		
6.5	31200	30700	27000	24000	16500	
7.0	28600	28000	27000	23000	16500	
7.5	26000	26000	25000	22000	16000	
8.0	23000	22400	23000	21000	15500	10800
9.0	18000	17400	18900	19000	14500	10400
10.0		14000	15400	16300	13500	10000
11.0		11400	12800	13600	12500	9600
12.0		9500	10800	11600	11600	9200
14.0			7900	8600	9000	8400
16.0			5900	6600	7000	7300
18.0			4500	5200	5600	5900
20.0				4100	4500	4800
22.0				3200	3600	3900
24.0					2900	3200
26.0					2300	2600
28.0					1800	2100
30.0						1700
32.0						1300
34.0						1000
36.0						
I (m)	0	4.3	4.3	4.3	4.3	4.3
II (m)	0	0	6.3	12.6	18.9	24.9
Reeving	12	10	6	5	4	3
Hook	60t Hook					

Table9 Unit:kg

Working Radius (m)	Main boom (m)				
	Telescoping cylinder I fully retracted, outriggers fully extended, over sides and rear, 5t counterweight				
	11.6	17.9	24.2	30.5	36.5
3.0	60000	27000			
3.5	51500	27000			
4.0	48000	27000	24000		
4.5	45000	27000	24000		
5.0	41500	27000	24000		
5.5	37400	27000	23200	18600	
6.0	34000	27000	22500	17900	
6.5	31200	27000	21700	17200	
7.0	28600	27000	21000	16500	11500
7.5	26000	25000	20200	15700	11500
8.0	23000	23500	19500	15000	11500
9.0	18000	19700	18000	13800	11000
10.0		16100	16500	12800	10500
11.0		13400	14000	11800	9800
12.0		11400	12100	11000	9200
14.0		8500	9200	9500	8200
16.0			7200	7500	7200
18.0			5700	6000	6300
20.0				4900	5200
22.0				4000	4300
24.0				3300	3600
26.0					3000
28.0					2500
30.0					2100
32.0					
I (m)	0	0	0	0	0
II (m)	0	6.3	12.6	18.9	24.9
Reeving	12	6	5	4	3
Hook	60t Hook				

Table10 Unit:kg

Working Radius (m)	Main boom (m)							
	Telescoping cylinder I fully extended, outriggers half extended, over sides and rear, 5t counterweight							
	11.6	15.9	20.1	26.4	32.7	39.0	45.0	
3.0	50000	45500	35500					
3.5	50000	45500	35500					
4.0	45000	41000	35500					
4.5	37000	35000	33000	27000				
5.0	29000	28500	27000	27000				
5.5	23500	23000	22800	23000				
6.0	19500	19000	18700	19500	19800			
6.5	16500	16000	16000	17000	17500			
7.0	14000	13500	13500	14500	15500			
7.5	12000	11500	11500	12500	13500			
8.0	10500	10000	10000	11000	12000	12500		
9.0	8200	7900	7800	8800	9600	10000		
10.0		6300	6200	7300	7900	8300	8800	
11.0		4800	4700	5800	6400	6700	7200	
12.0		3800	3700	4800	5400	5700	6200	
14.0			2000	3100	3700	4000	4500	
16.0				2000	2600	2900	3200	
18.0				1100	1700	2000	2300	
20.0					1000	1300	1600	
22.0							1100	
I (m)	0	4.3	8.5	8.5	8.5	8.5	8.5	
II (m)	0	0	0	6.3	12.6	18.9	24.9	
Reeving	12	10	8	6	4	4	3	
Hook	60t Hook							

Table11 Unit:kg

Working Radius (m)	Main boom (m)					
	Telescoping cylinder I & outriggers half extended, over sides and rear, 5t counterweight					
	11.6	15.9	22.2	28.5	34.8	40.8
3.0	50000	45500				
3.5	50000	45500	27000			
4.0	45000	41000	27000			
4.5	37000	35000	27000			
5.0	29000	28500	25000	24000		
5.5	23500	23000	23000	22000		
6.0	19500	19000	20000	19000		
6.5	16500	16000	17400	17000	16500	
7.0	14000	13500	15300	16000	15500	
7.5	12000	11500	13200	14000	14000	
8.0	10500	10000	11700	12500	12500	10800
9.0	8200	7900	9200	10000	10000	10000
10.0		6300	7500	8300	8700	9000
11.0		4800	6000	6800	7200	7500
12.0		3800	5000	5700	6100	6400
14.0			3400	4100	4500	4800
16.0			2200	2800	3200	3500
18.0			1400	2000	2300	2600
20.0				1300	1600	1900
22.0					1100	1300
I (m)	0	4.3	4.3	4.3	4.3	4.3
II (m)	0	0	6.3	12.6	18.9	24.9
Reeving	12	10	6	5	4	3
Hook	60t Hook					

Table12 Unit:kg

Working Radius (m)	Main boom (m)				
	Telescoping cylinder I fully retracted, outriggers half extended, over sides and rear, 5t counterweight				
	11.6	17.9	24.2	30.5	36.5
3.0	50000	27000			
3.5	50000	27000	24000		
4.0	45000	27000	24000		
4.5	37000	27000	24000		
5.0	29000	27000	24000		
5.5	23500	25000	23200	18600	
6.0	19500	21500	21000	17900	
6.5	16500	18000	18000	17200	
7.0	14000	16000	16600	16500	11500
7.5	12000	13500	14500	14500	11500
8.0	10500	12300	13200	13500	11500
9.0	8200	10000	10700	11000	11000
10.0		8000	8700	9000	9500
11.0		6600	7300	7600	8000
12.0		5500	6200	6500	6800
14.0		3900	4500	4800	5100
16.0			3300	3600	3900
18.0			2400	2700	3000
20.0				2000	2300
22.0				1500	1700
24.0				1000	1200
I (m)	0	0	0	0	0
II (m)	0	6.3	12.6	18.9	24.9
Reeving	12	6	5	4	3
Hook	60t Hook				

Table13 Unit:kg

Boom Angle (°)	Main boom(m)+Jib(m) Outriggers fully extended with 7.5T counterweight					
	45 + 9.5			45 + 16		
	0°	15°	30°	0°	15°	30°
80	5000	3300	2500	3000	2000	1400
78	5000	3300	2500	3000	2000	1400
76	4800	3200	2500	2900	1800	1300
74	4500	3100	2500	2700	1700	1300
72	4200	3000	2400	2500	1600	1200
70	3900	2800	2300	2300	1500	1200
68	3600	2700	2200	2100	1400	1100
66	3300	2600	2100	2000	1300	1100
64	2800	2500	2000	1900	1300	1100
62	2400	2200	1900	1800	1200	1000
60	2100	2000	1800	1700	1200	1000
58	1800	1600	1600	1400	1100	1000
56	1500	1400	1300	1200	1100	900
54	1200	1200	1200	1000	900	800
52	1000	1000	900	800	700	650
50	800	700	700	650	600	550
Reeving	1					
Hook	5t Hook					

Table14 Unit:kg

Boom Angle (°)	Main boom(m)+Jib(m) Outriggers fully extended with 5T counterweight					
	45 + 9.5			45 + 16		
	0°	15°	30°	0°	15°	30°
80	5000	3300	2500	3000	2000	1400
78	5000	3300	2500	3000	2000	1400
76	4800	3200	2500	2900	1800	1300
74	4500	3100	2500	2700	1700	1300
72	4200	3000	2400	2500	1600	1200
70	3900	2800	2300	2300	1500	1200
68	3300	2700	2200	2100	1400	1100
66	2800	2600	2100	2000	1300	1100
64	2400	2200	2000	1800	1300	1100
62	2100	1900	1800	1600	1200	1000
60	1800	1600	1500	1300	1200	1000
58	1500	1300	1300	1100	1000	900
56	1200	1100	1100	900	800	700
54	1000	900	900	700	600	
52	800	700	700			
50	600					
Reeving	1					
Hook	5t Hook					

Product specifications are subject to change without notice and obligation. The photographs and/or drawing in this document are for illustrative purposes only. Please consult your local ZOOMLION dealer for more information.