

# ZOOMLION ROTARY DRILLING RIG ZR360L



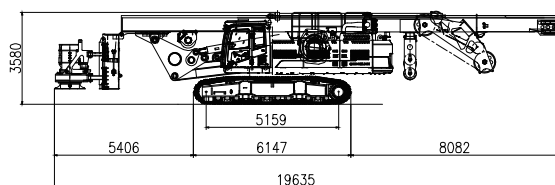
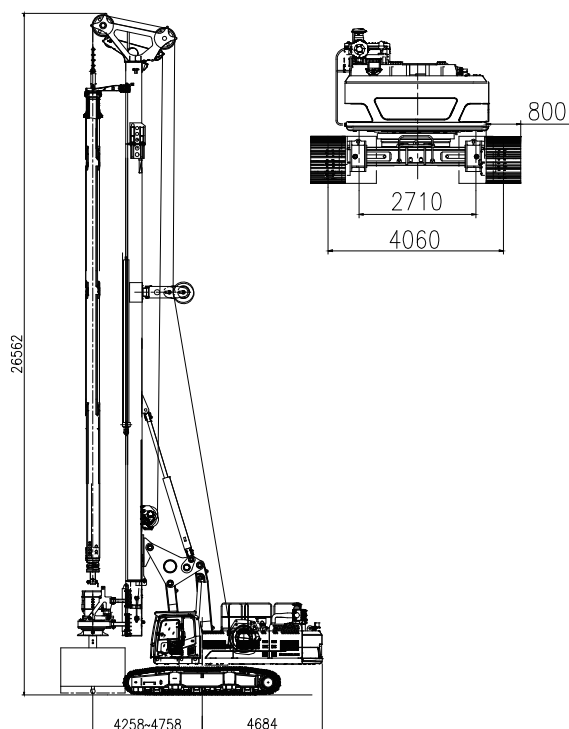
**ZOOMLION**

# ZR360L Rotary Drilling Rig

- The rear main winch with **single-layer-rope drum** and twin reducers mechanism, which extends service life of the steel wire rope significantly.
- High construction **efficiency** thanks to big flow main pump, multi-gear rotary drive, and two-speed crowd cylinder.
- More **stable** structure and stronger bearing capacity thanks to enhanced mast section, double movable booms with parallel luffing mechanism, large slewing support, and reinforced chassis.
- One key for **folding cathead**, fixed mast support. Equipment can be transferred easily and quickly.
- **Folding mast**, overall transport height 3580mm.
- **New generation cab** with better vision, more comfortable operation, new electrical control panel. 360 degree full view monitoring.
- **Options**: Auto-lubrication, spin-off.

Main Specification	Unit	Value	Note
<b>Drilling</b>			
Max.drilling diameter	mm	2500	
Max.drilling depth	m	100/65	friction/inter-lock
<b>Rotary drive</b>			
Max. output torque	kN·m	360	
Rotary speed range	rpm	6~28	
<b>Crowd system</b>			
Crowd method		cylinder	
Crowd force push	kN	300	
Crowd force pull	kN	360	
Max. stroke crowd	mm	6000	
<b>Main winch</b>			
Max. line pull	kN	340	
Max. speed of line	m/min	72	
Diameter of wire rope	mm	36	
<b>Aux. winch</b>			
Max. line pull	kN	90	
Max. speed of line	m/min	70	
Diameter of wire rope	mm	22	
<b>Inclination angle of mast</b>			
Forward/backward	°	5/90	
Left/right	°	±4	
<b>Engine</b>			
Model		Cummins QSM11	
Rate power of engine	kW	298	
Emission standard		Stage III	
Displacement of engine	L	10.8	
<b>Undercarriage</b>			
Distance of tracks	mm	3510~4860	min.~max.
Width of track shoe	mm	800	
Slewing radius	mm	4684	
<b>Overall main machine</b>			
Operation weight	t	108	
Max. traction force	kN	560	
Max. travelling speed	km/h	1.8	
Overall height	m	26.5	

Kelly bar types	Drilling depth (m)	Notes
Friction Φ508-6x18m	100	
Inter-locking Φ508-4x18m	65	standard
Friction Φ508-6x16m	88	
Inter-locking Φ508-4x16m	58	



**ZOOMLION**



Add: Zoomlion Industrial Binfen Road, Songjiang District, Shanghai, China.

\*Note: Specifications are subject to change without prior notice in accordance with our continuous technical innovations.(V21-11)

[EN.ZOOMLION.COM](http://EN.ZOOMLION.COM)